



 Game King® Series

Game King® Video Poker



Make the most of your casino floor space with IGT's popular *Game King* Poker machines, available with a choice of monitor size and a variety of sleek cabinet styles designed to attract and satisfy players. IGT machines enjoy a reputation for exceptional reliability, ease of service, and uncompromising security. They will quickly become a profitable addition to your gaming establishment.

Game King® Video Poker machines offer on the familiar platform that casino

Unparalleled

- Enhanced digital stereo sound • Easy-to-read, high-resolution
- An ever-expanding library of the most sought-after

Game King Plus 19" Upright
with 9" Square Top Box



Game King 19" Slant Top
with Arch Top Box



Game King Plus 19" Upright
with 16" Square Top Box



Game King



Game King Poker games greet players with a colorful, informative display of glass graphics, and a vivid multimedia presentation on the video screen. Your customers will appreciate the comfort and user-friendly convenience of every cabinet configuration, right down to the positioning of buttons on the panel and on the touchscreen display.

Game Library

The world of video poker was dealt a real winner with the Game King Poker machine. Building on the success of video draw poker, new and different game variations are constantly being added to the IGT video poker library. Who

knows what the future holds! With the Game King Poker machine the possibilities are limited only by the imagination.

Game King Technology

IGT Game King Poker machines feature state-of-the-art technology for greater flexibility, providing countless poker theme and payable possibilities. With an almost unlimited capacity for expansion, the Game King platform represents what may be the most valuable and cost-effective gaming machine investment you will ever make.

all the latest innovative poker games on operators have relied upon for years.

Features

graphics • User-friendly touchscreen/button panel combination • poker games • Instant player recognition and acceptance •

Game King 17" Upright
with Round Top Box



Game King 17" Upright
with 16" Square Top Box



Game King 17" Upright
with 9" Square Top Box



Flat Top



These machines utilize a future-based processor to achieve extraordinary game-play speed, and enable performance upgrades that are unprecedented in the industry. 100% software compatibility assures the ability to grow to meet your future needs.

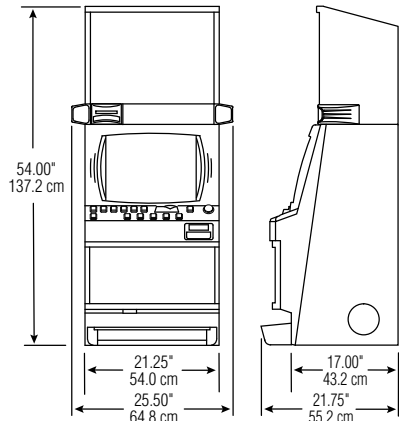
Security

You're in the business of gambling, but not when it comes to security. IGT has taken every precaution to make our machines the most secure available today, offering an impressive list of security features, many of which are not found in other machines on the market, such as:

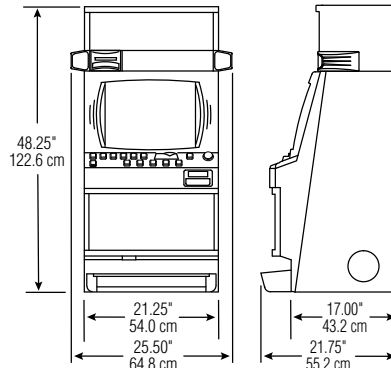
- Electronic coin acceptors with optical anti-stringing detection
- Optional tamper-proof, externally read hard meters
- High-security bill acceptors
- A secure monitoring system for storing critical accounting information
- Easy access to printer and cash storing compartments for routine daily operations without opening machine door

Game King® Video Poker

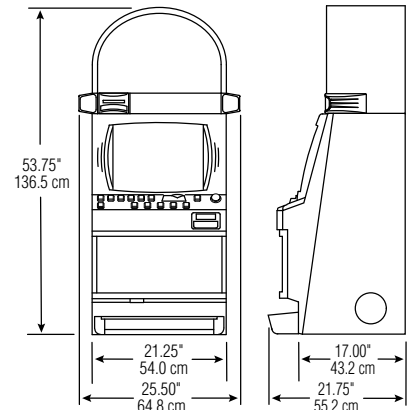
Game King Plus™ 19" Upright Machines



16" Square Top Box Weight 274 lbs – 123.3 kg

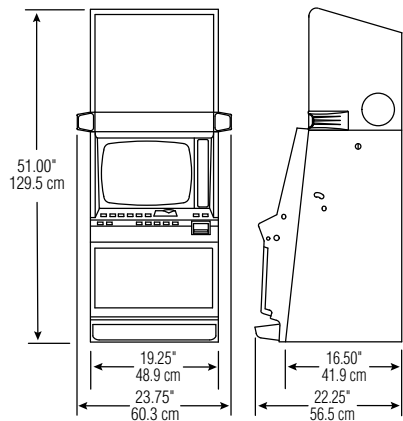


9" Square Top Box Weight 273 lbs – 122.9 kg

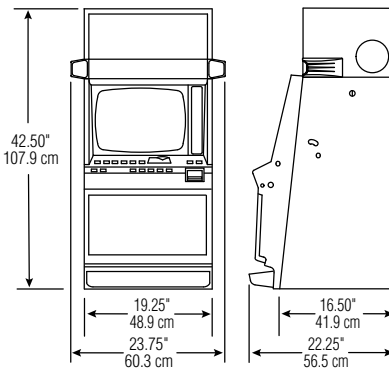


15" Round Top Box Weight 272 lbs – 122.4 kg

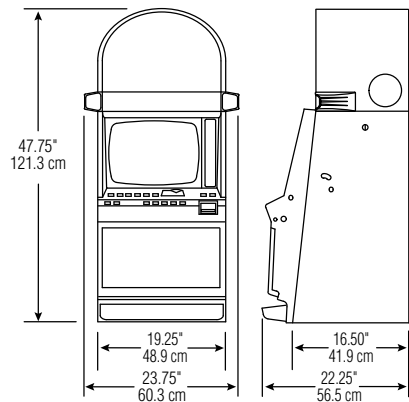
Game King® 17" Upright Machines



16" Square Top Box Weight 256 lbs – 116.0 kg

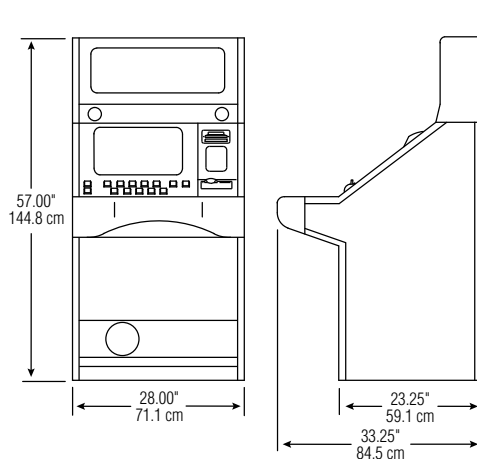


9" Square Top Box Weight 247 lbs – 112.0 kg



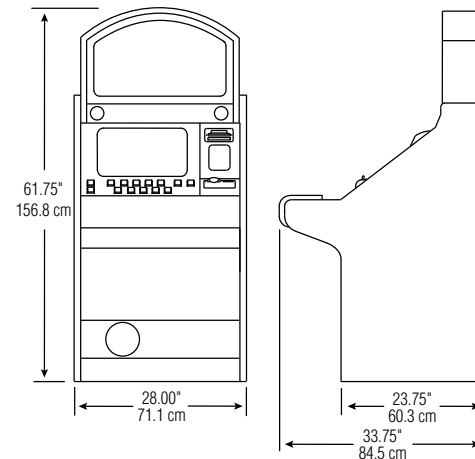
15" Round Top Box Weight 246 lbs – 111.6 kg

Game King® 17" and 19" Slant-Top Machines



Slant-Top (Standard Cabinet Style) Square Top Box

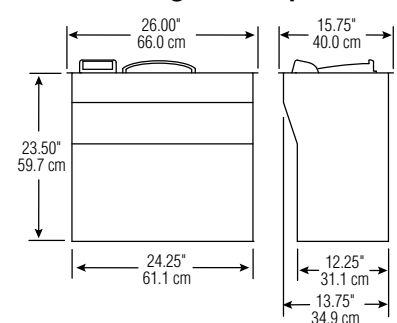
Weight 17" 350 lbs – 157.5 kg Weight 19" 397 lbs – 178.6 kg



Slant-Top (Classic Cabinet Style) Arch Top Box

Weight 17" 348 lbs – 156.6 kg Weight 19" 395 lbs – 177.8 kg

Game King® Flat-Top Machine



13" Flat-Top Weight 160 lbs – 72.6 kg

Power Consumption (All Models)

Idle (average) 115 VAC 60 Hz 2.0 AMPS
Idle (average) 220 VAC 50 Hz 1.2 AMPS



IGT-Worldwide Sales Office

1085 Palms Airport Drive, Las Vegas, NV 89119-3715
Phone: (702) 896-8500 Fax: (702) 896-8686 www.IGT.com

© 2002 IGT. All rights reserved.

Italicized text indicates trademarks of IGT or its licensors.

The photos, artwork, and machine details depicted in this brochure are subject to change subsequent to publication.



GK-GKPK-001-0402